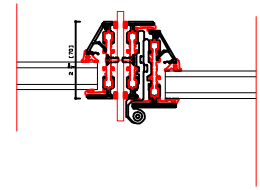
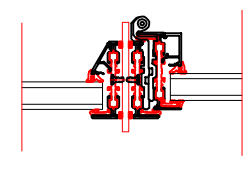


THE FRENCH STEEL CO – TUSCAN SERIES



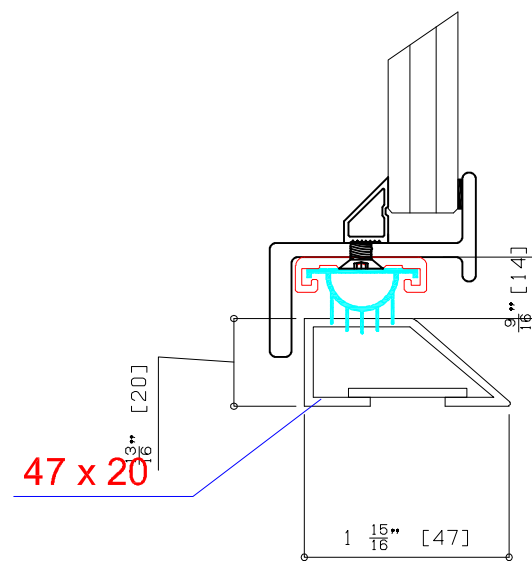
4:1
Thermally
Broken Mull



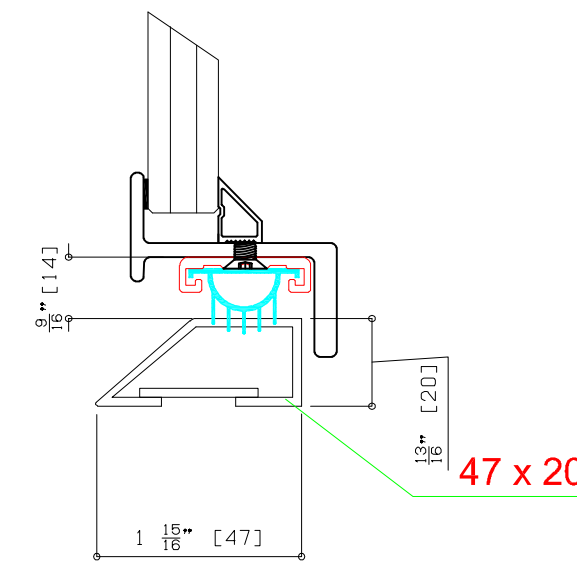
4:1
Thermally
Broken Mull



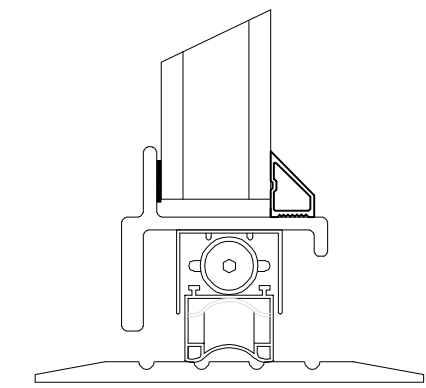
4:1
Mull Stiffner



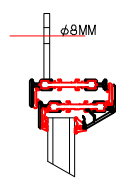
4:1
Non- Thermal Swing
out Door Sill Detail



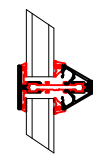
4:1
Non- Thermal
Swing IN Door Sill
Detail



4:1
Non- Thermal
Door Sill with
drop down
sweep Detail



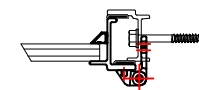
4:1
Thermally
Broken Head
Jamb



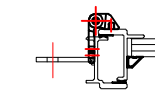
4:1
Thermally
Broken TDL Bar



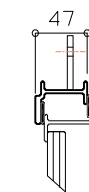
4:1
Thermally Broken
Door Sill Detail



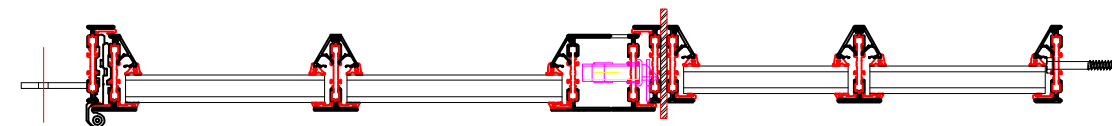
4:1
Through Bolt
Installation Detail



4:1
Flange Installation
Detail



4:1
Head Detail
Flange Installation
Detail



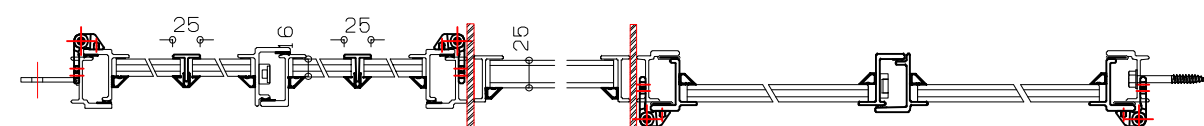
4:1
Mulled Thermally Broken Detail
Swing in Door / Stationary Sidelite Flange
Mount or Through Bolt



4:1
TDL Bar Metal
Stop Detail



4:1
TDL Bar Putty
Glazed Detail



4:1
Mulled Non-Thermal Detail
Swing in Door / Stationary Sidelite/ Swing out
door unit/ Flange Mount or Through Bolt

